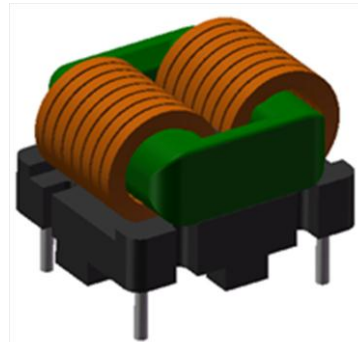
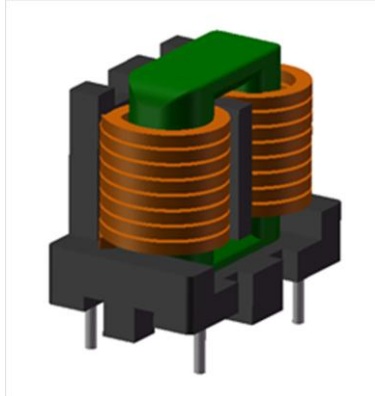


Common Mode Chokes 共模电感**UC12 Series****FEATURES**

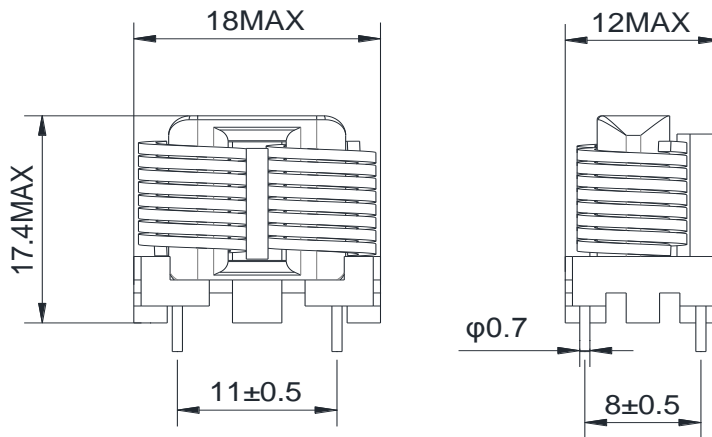
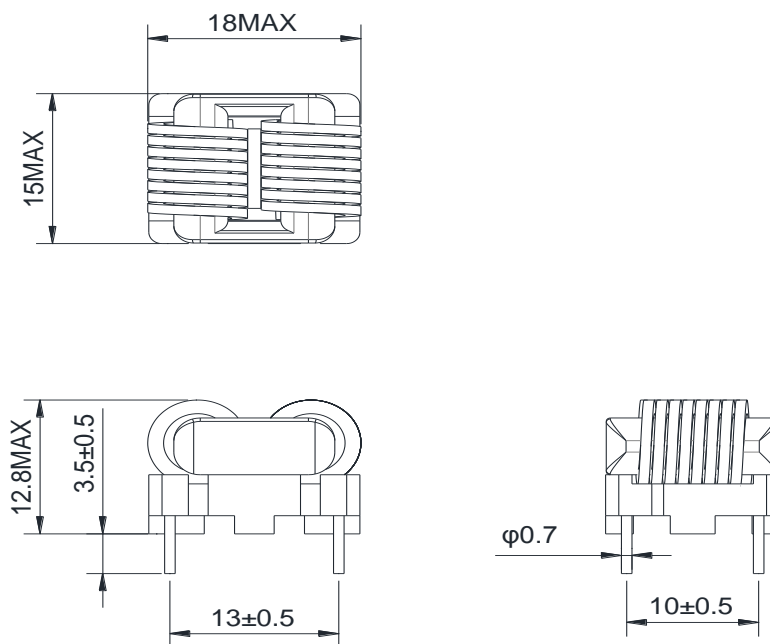
- Rated Voltage: 250V AC
- Operating temperature : $-40^{\circ}\text{C} \sim 105^{\circ}\text{C}$ (Temperature rise included)
- Storage temperature: $-40^{\circ}\text{C} \sim 105^{\circ}\text{C}$
- Enameled Copper Wire: Class H (180°C)
- Uses UL94-V0 listed materials
- Measuring Frequency: 1KHz, 0.25V
- Inductance difference value of two windings must less than 2% of single winding inductance.
- Dielectric Strength: 1500Vrms, 60Sec
- Insulation Resistance: 100M Ω Min @ DC500V

产品特点:

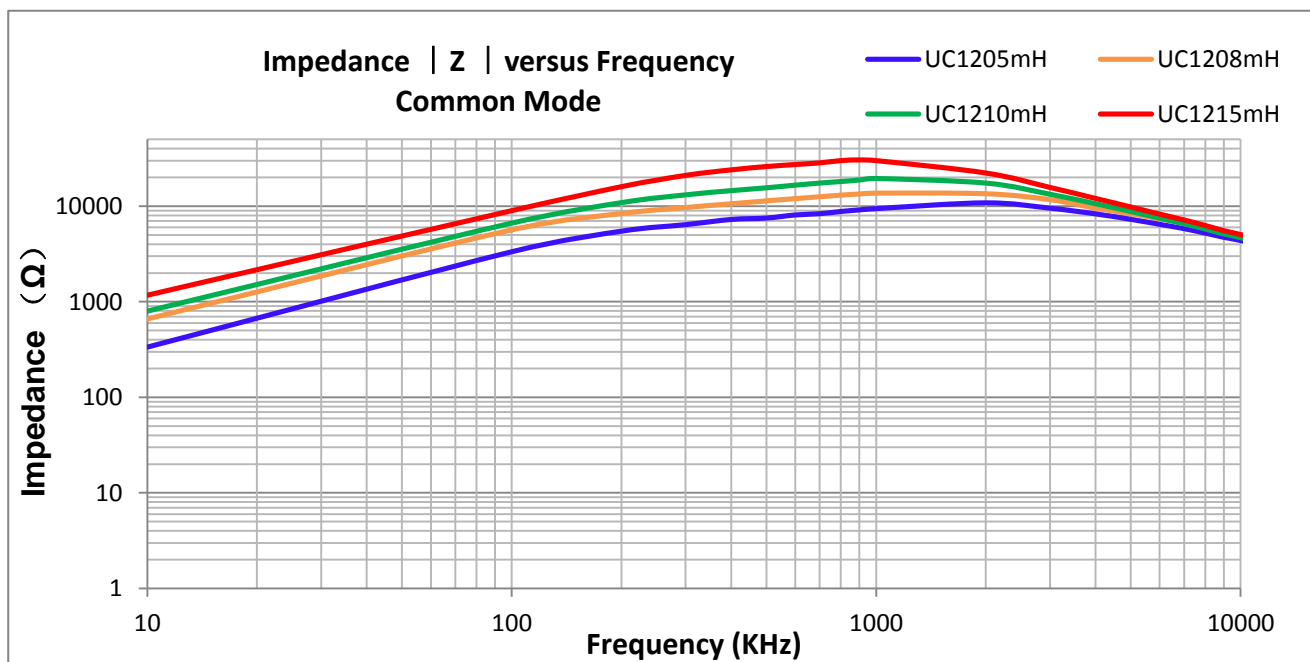
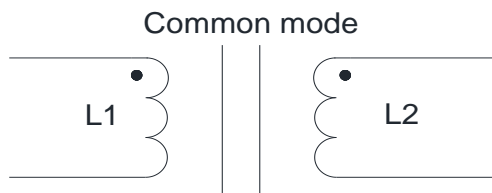
- 额定电压：250V AC
- 产品操作温度范围： $-40^{\circ}\text{C} \sim 105^{\circ}\text{C}$ (包括产品温升)
- 储存温度范围： $-40^{\circ}\text{C} \sim 105^{\circ}\text{C}$
- 漆包铜线：H级 (180°C)
- 使用 UL94-V0 绝缘材料
- 测量频率：1KHz, 0.25V
- 两绕组电感差值小于单绕组电感的 2%。
- 介电强度：1500Vrms, 60Sec
- 绝缘电阻：输入-输出 500VDC $\geq 100\text{M Ohms}$

ELECTRICAL SPECIFICATION 电气规格

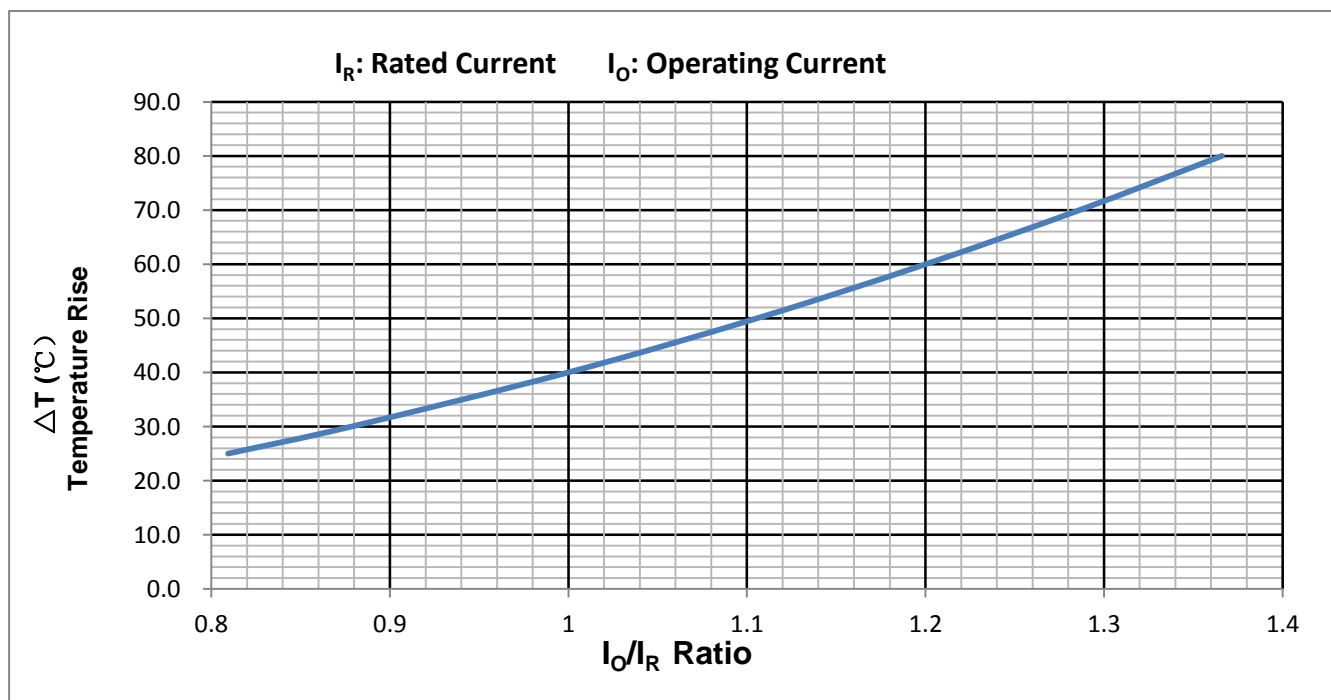
Part Number	Inductance common Mode (mH) Min	Inductance differential Mode (uH) Typical	Resistance per winding (m Ω) Max	Rated Current Arms (Amp) temperature rise 40°C ($\Delta T=40^{\circ}\text{C}$)	Replacing traditional Toroid model
XZM-UC1205mH	5.0	31	85	2.0	T12*6*4, UU9.8
XZM-UC1208mH	8.0	50	135	1.65	
XZM-UC1210mH	10.0	58	180	1.50	
XZM-UC1215mH	15.0	87	240	1.25	

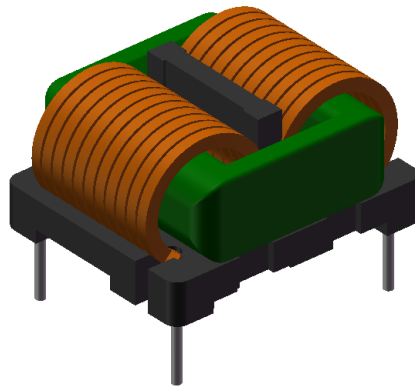
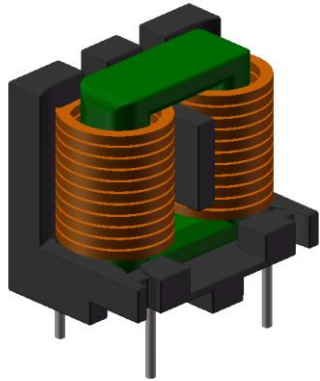
MECHANICAL SPECIFICATION 尺寸图**Vertical version 立式****Horizontal Version 卧式**

Typical Impedance Characteristics 典型阻抗特性



Typical Temperature Rise Characteristics 典型温升特性



Common Mode Chokes 共模电感**UC15 Series****FEATURES**

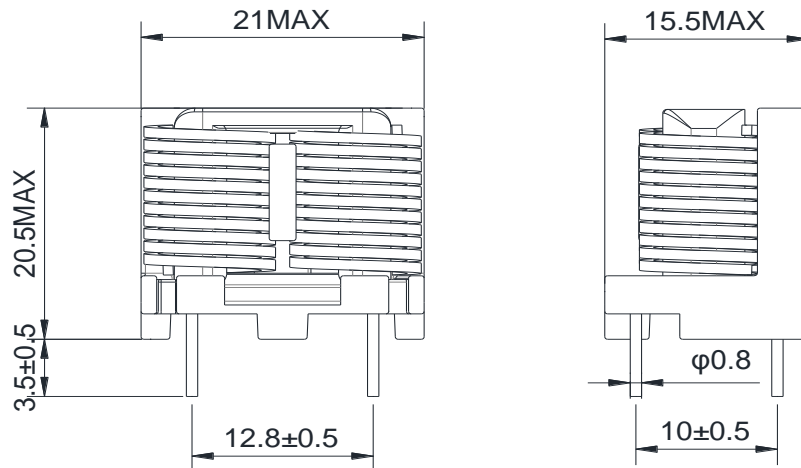
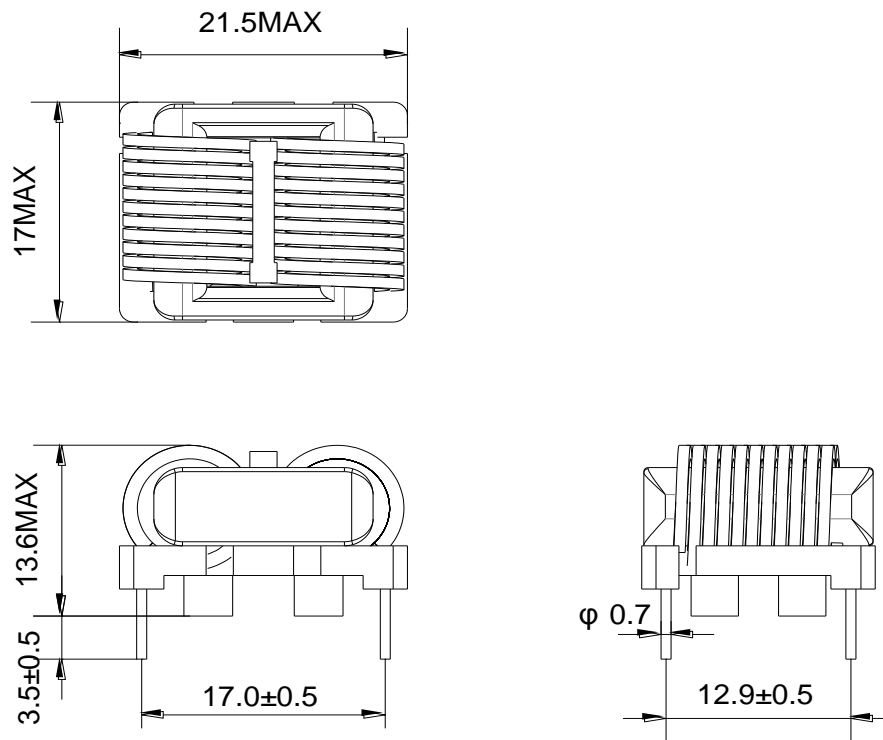
- Rated Voltage: 250V AC
- Operating temperature : -40°C~105°C (Temperature rise included)
- Storage temperature: -40°C~105°C
- Enameled Copper Wire: Class H (180°C)
- Uses UL94-V0 listed materials
- Measuring Frequency: 1KHz, 0.25V
- Inductance difference value of two windings must less than 2% of single winding inductance.
- Dielectric Strength: 1500Vrms, 60Sec
- Insulation Resistance: 100MΩ Min @ DC500V

产品特点:

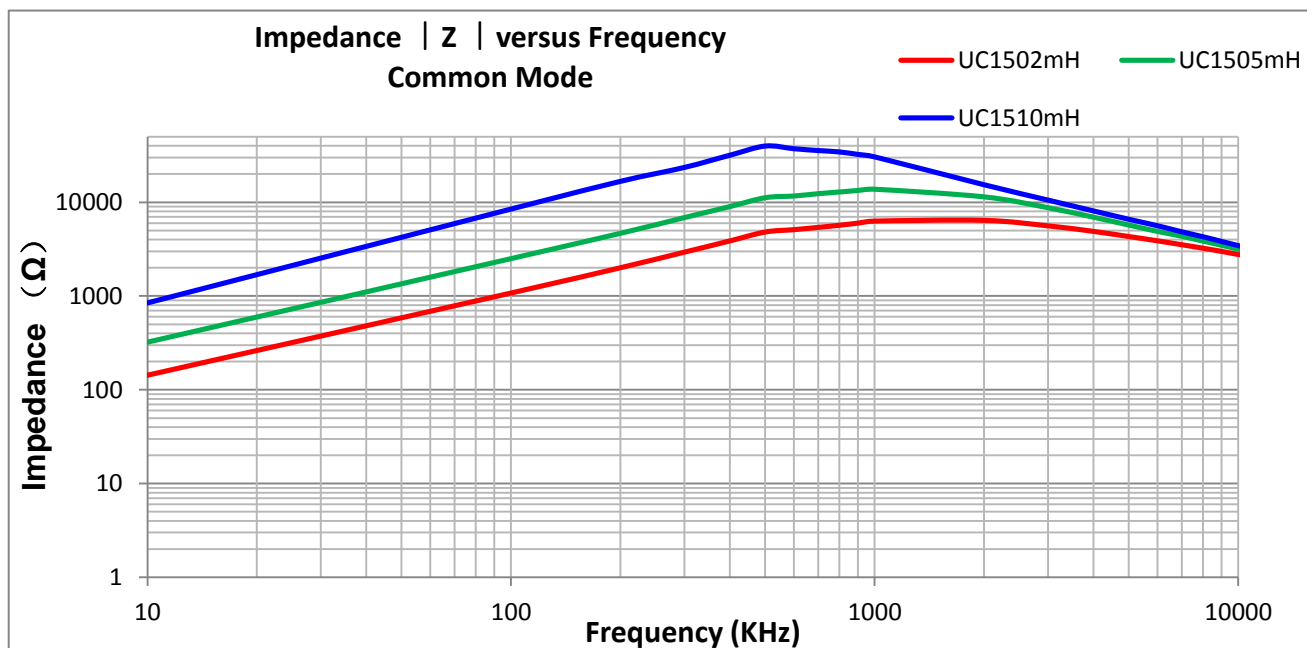
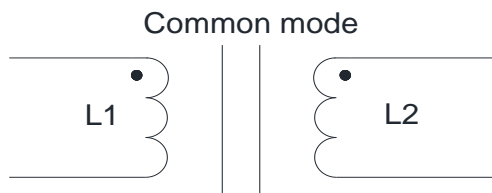
- 额定电压：250V AC
- 产品操作温度范围：-40°C~105°C (包括产品温升)
- 储存温度范围：-40°C~105°C
- 漆包铜线：H 级 (180°C)
- 使用 UL94-V0 绝缘材料
- 测量频率：1KHz, 0.25V
- 两绕组电感差值小于单绕组电感的 2%。
- 介电强度：1500Vrms, 60Sec
- 绝缘电阻：输入-输出 500VDC ≥ 100M Ohms

ELECTRICAL SPECIFICATION 电气规格

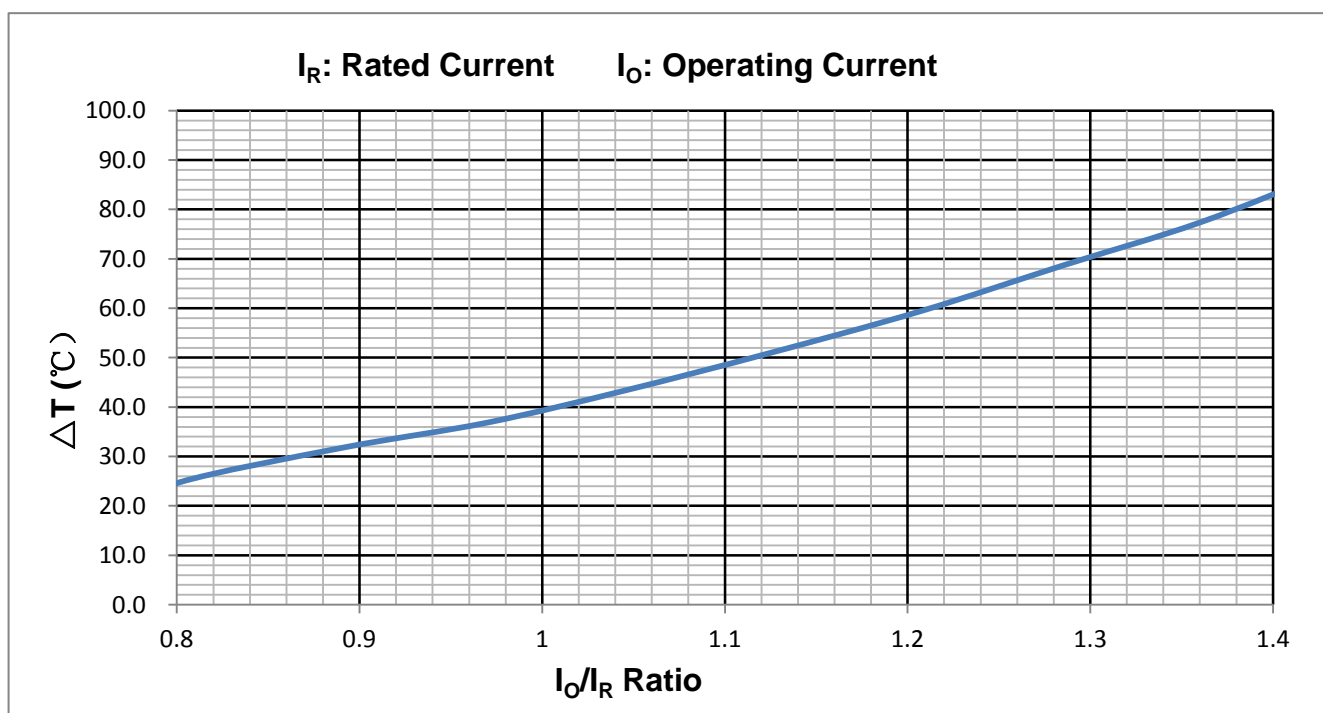
Part Number	Inductance common Mode (mH) Min	Inductance differential Mode (uH) Typical	Resistance per winding (mΩ) Max	Rated Current Arms (Amp) temperature rise 40°C (ΔT=40°C)	Replacing traditional Toroid model
XZM-UC1502mH	2.0	17.5	28	4.8	T16*10*8, UU10.5
XZM-UC1505mH	5.0	39	55	3.2	
XZM-UC1510mH	10.0	92	135	2.1	

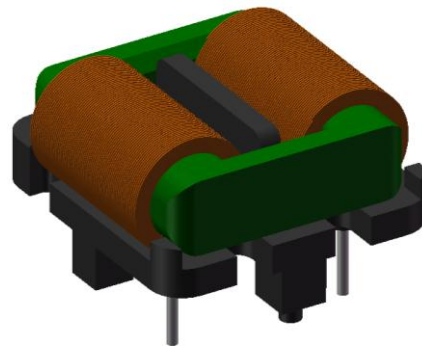
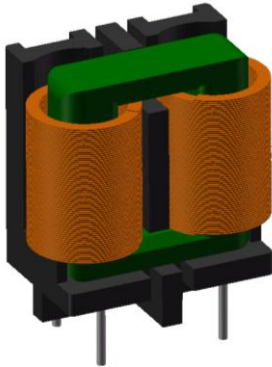
MECHANICAL SPECIFICATION 尺寸图**Vertical version 立式****Horizontal Version 卧式**

Typical Impedance Characteristics 典型阻抗特性



Typical Temperature Rise Characteristics 典型温升特性



Common Mode Chokes 共模电感**UC19 Series****FEATURES**

- Rated Voltage: 250V AC
- Operating temperature : $-40^{\circ}\text{C} \sim 105^{\circ}\text{C}$ (Temperature rise included)
- Storage temperature: $-40^{\circ}\text{C} \sim 105^{\circ}\text{C}$
- Enameled Copper Wire: Class H (180°C)
- Uses UL94-V0 listed materials
- Measuring Frequency: 1KHz, 0.25V
- Inductance difference value of two windings must less than 2% of single winding inductance.
- Dielectric Strength: 1500Vrms, 60Sec
- Insulation Resistance: 100M Ω Min @ DC500V

产品特点:

- 额定电压：250V AC
- 产品操作温度范围： $-40^{\circ}\text{C} \sim 105^{\circ}\text{C}$ (包括产品温升)
- 储存温度范围： $-40^{\circ}\text{C} \sim 105^{\circ}\text{C}$
- 漆包铜线：H级 (180°C)
- 使用 UL94-V0 绝缘材料
- 测量频率：1KHz, 0.25V
- 两绕组电感差值小于单绕组电感的 2%。
- 介电强度：1500Vrms, 60Sec
- 绝缘电阻：输入-输出 500VDC $\geq 100\text{M Ohms}$

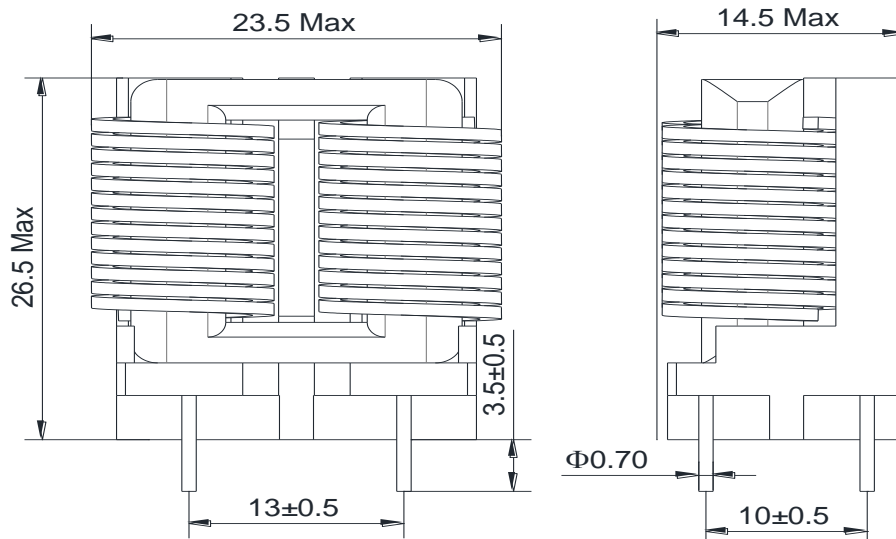
ELECTRICAL SPECIFICATION 电气规格

Part Number	Inductance common Mode (mH) Min	Inductance differential Mode (uH) Typical	Resistance per winding (m Ω) Max	Rated Current Arms (Amp) temperature rise 40°C ($\Delta T=40^{\circ}\text{C}$)	Replacing traditional Toroid model
XZM-UC1905mH	5.0	55.7	55	3.7	T22*14*10,FT20
XZM-UC1910mH	10.0	77.9	70	3.0	
XZM-UC1915mH	15.0	112.1	100	2.5	
XZM-UC1920mH	20.0	168	170	2.0	
XZM-UC1925mH	25.0	190	260	1.6	

MECHANICAL SPECIFICATION 尺寸图

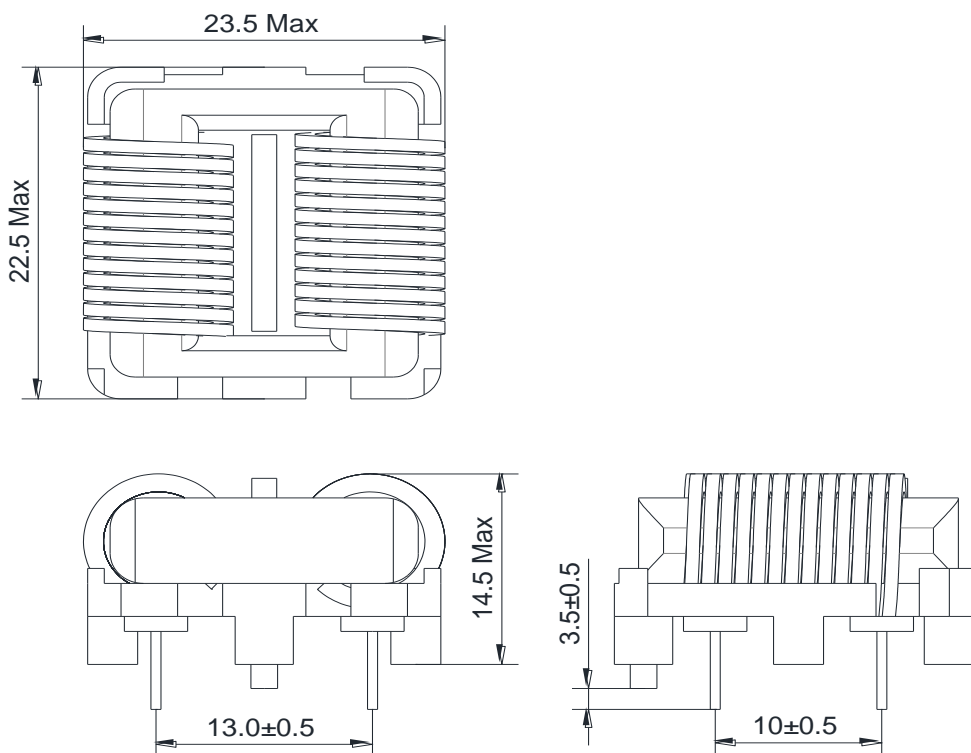
Vertical version

立式

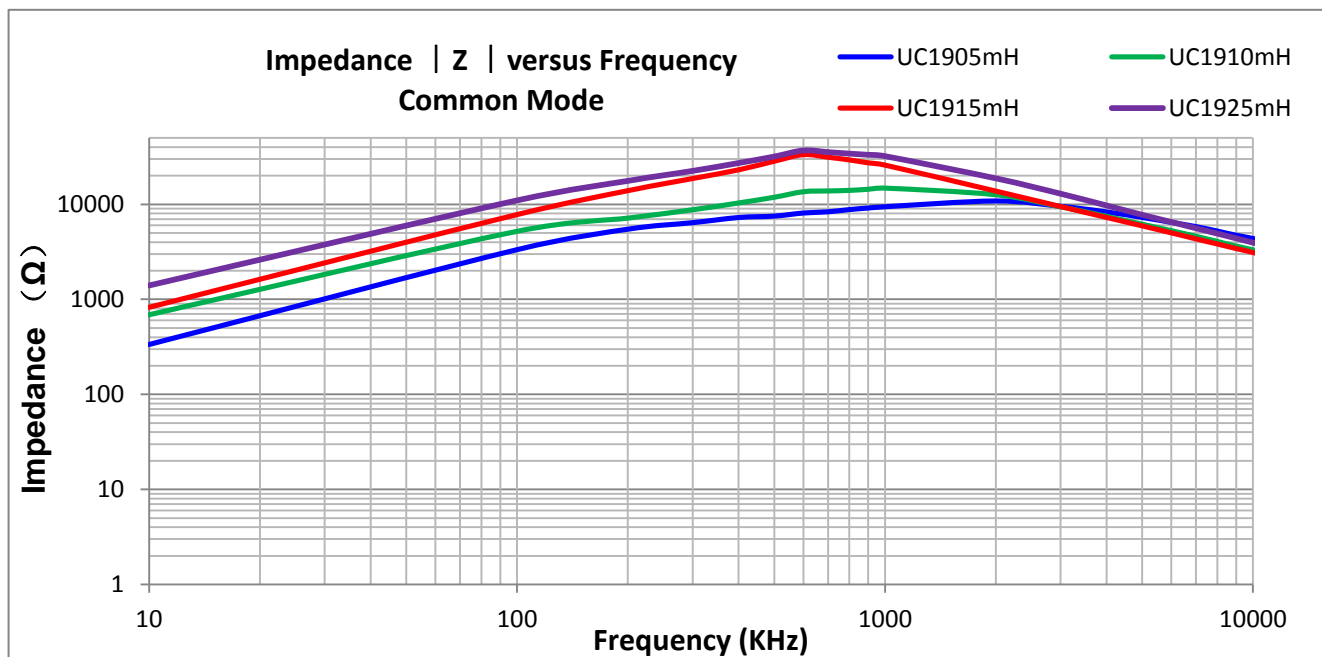
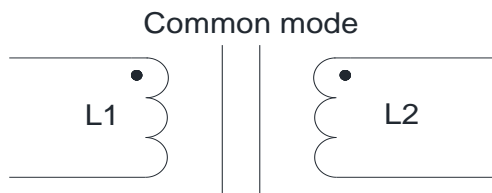


Horizontal Version

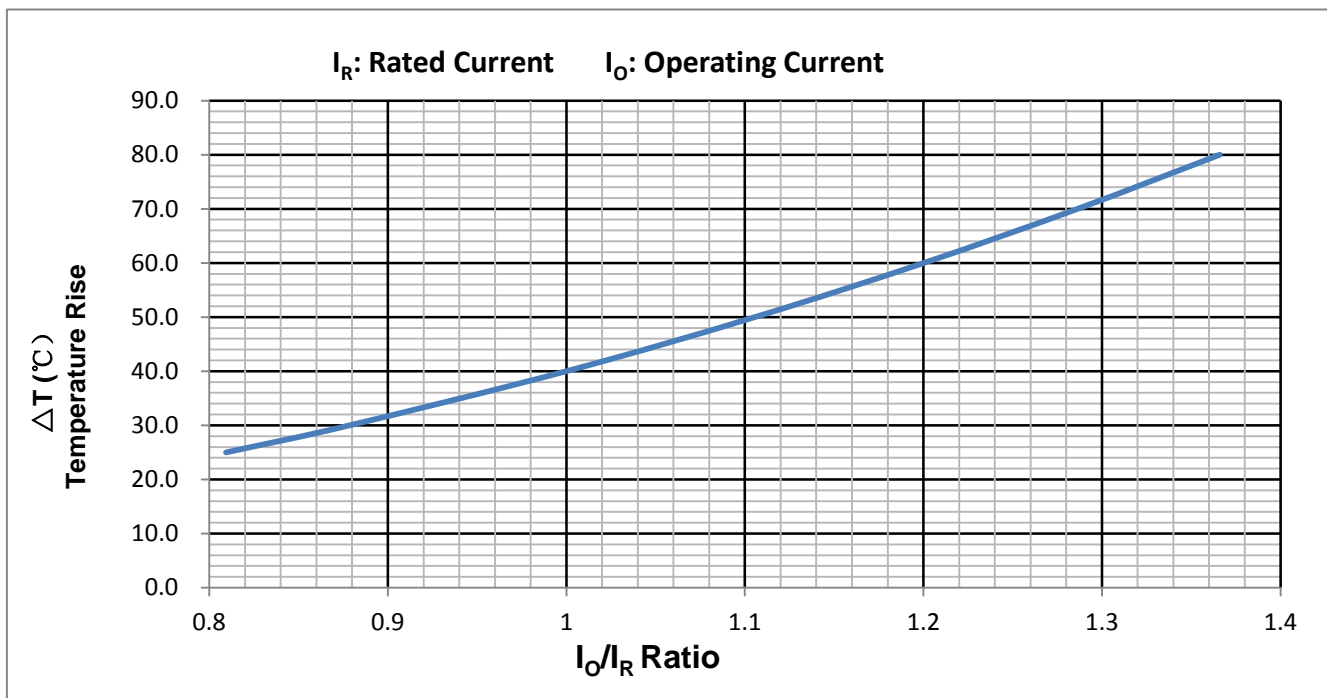
卧式

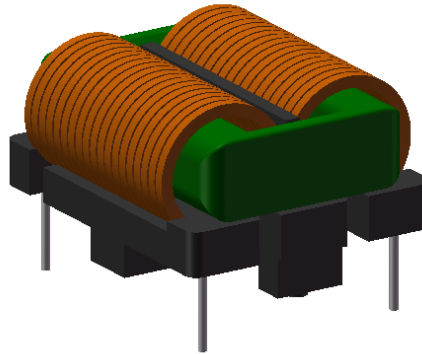
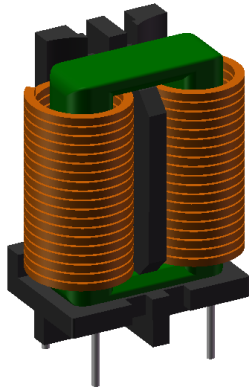


Typical Impedance Characteristics 典型阻抗特性



Typical Temperature Rise Characteristics 典型温升特性



Common Mode Chokes 共模电感**UC24 Series****FEATURES**

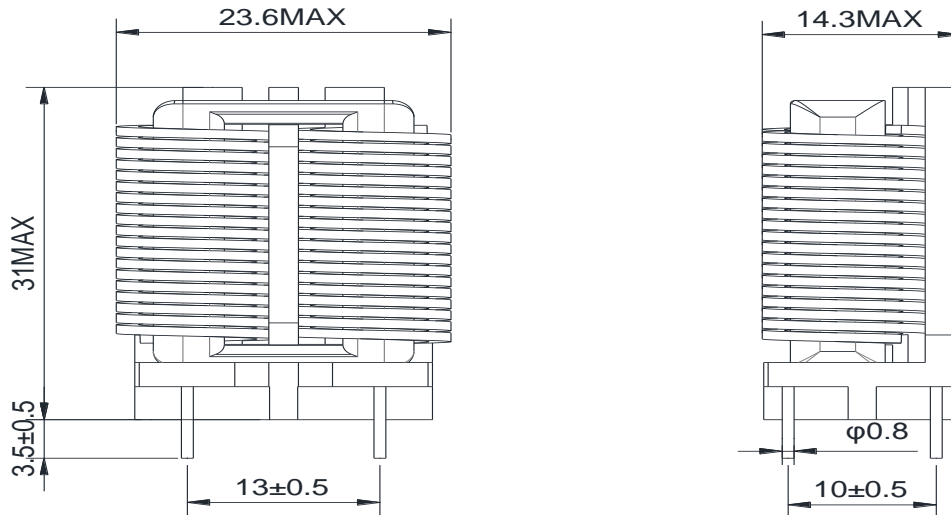
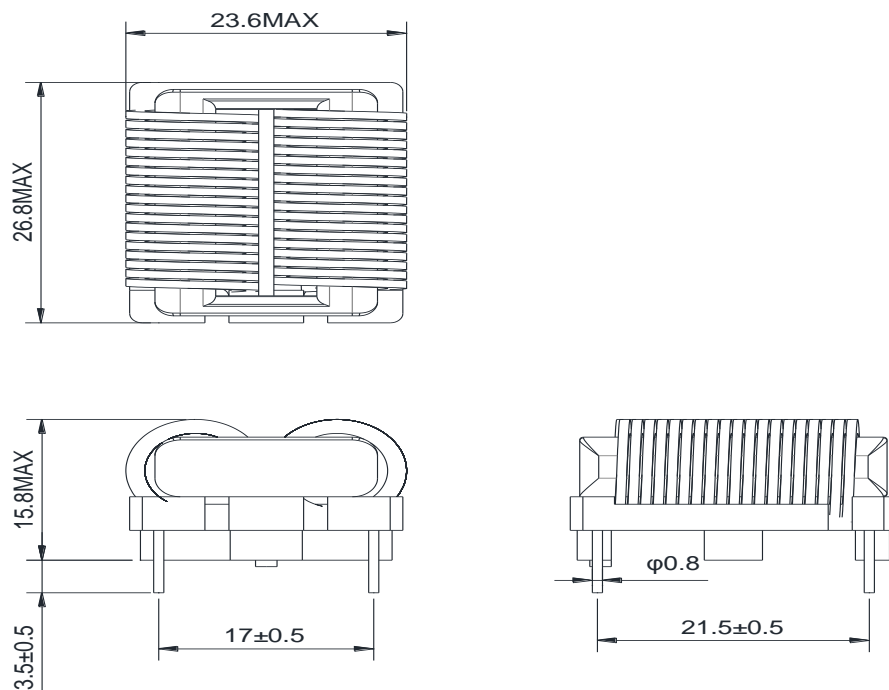
- Rated Voltage: 250V AC
- Operating temperature : -40°C~105°C (Temperature rise included)
- Storage temperature: -40°C~105°C
- Enameled Copper Wire: Class H (180°C)
- Uses UL94-V0 listed materials
- Measuring Frequency: 1KHz, 0.25V
- Inductance difference value of two windings must less than 2% of single winding inductance.
- Dielectric Strength: 1500Vrms, 60Sec
- Insulation Resistance: 100MΩ Min @ DC500V

产品特点:

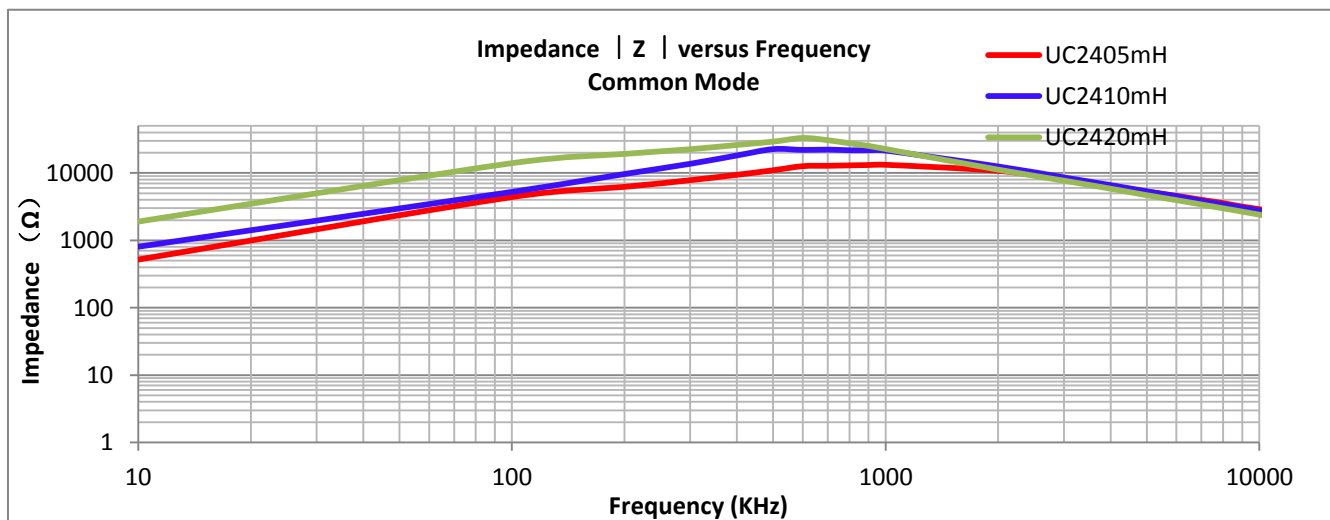
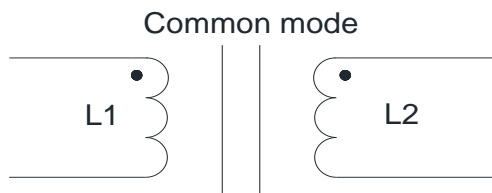
- 额定电压：250V AC
- 产品操作温度范围：-40°C~105°C (包括产品温升)
- 储存温度范围：-40°C~105°C
- 漆包铜线：H 级 (180°C)
- 使用 UL94-V0 绝缘材料
- 测量频率：1KHz, 0.25V
- 两绕组电感差值小于单绕组电感的 2%。
- 介电强度：1500Vrms, 60Sec
- 绝缘电阻：输入-输出 500VDC ≥ 100M Ohms

ELECTRICAL SPECIFICATION 电气规格

Part Number	Inductance common Mode (mH) Min	Inductance differential Mode (uH) Typical	Resistance per winding (mΩ) Max	Rated Current Arms (Amp) temperature rise 40°C (ΔT=40°C)	Replacing traditional Toroid model
XZM-UC2405mH	5.0	59	55	4.5	T25*15*10,
XZM-UC2410mH	10.0	106	85	3.5	
XZM-UC2420mH	20.0	188	150	2.5	UT28

MECHANICAL SPECIFICATION 尺寸图**Vertical version 立式****Horizontal Version 卧式**

Typical Impedance Characteristics 典型阻抗特性



Typical Temperature Rise Characteristics 典型温升特性

